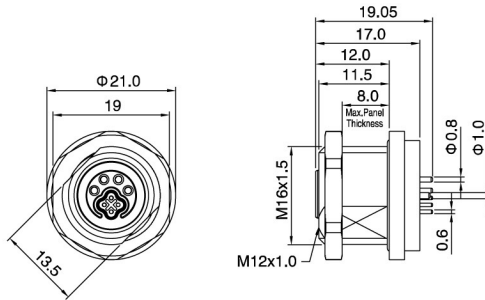




## M12 Female Panel, PCB, Front fastened, Y2-coding, Shielded

- Connector series: M12
- Gender: Female
- Coding: Y2
- Locking type: Fix screw
- Mounting type: Straight
- Part No.: MB12FBSY208ST-2




### General information

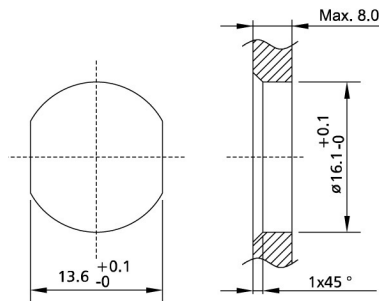
|                      |   |
|----------------------|---|
| Standard:            | IEC 61076-2-113   |
| Ambient temperature: | -40°C ~ +80°C (fixed installation)<br>-20°C ~ +80°C (flexible installation) |
| Connector insert:    | PA+GF   |
| Connector contacts:  | Brass with gold plated  |
| Connector overmold:  | TPU   |
| Connector nut/screw: | Brass with nickel plated  |
| Seal / O-ring:       | FKM   |

|                        |                          |
|------------------------|--------------------------|
| Insulation resistance: | $\geq 100M\Omega$        |
| Contact resistance:    | $\leq 10m\Omega$         |
| Shielding:             | Available                |
| IP rating:             | IP67 in locked condition |
| Mating endurance:      | >500 cycles              |

### Electrical data & Mechanical data

| Contacts  | Contacts termination | Rated current | Voltage |     | Part No.        |
|---|----------------------|---------------|---------|-----|-----------------|
|   |                      |               | A/C     | D/C |                 |
| 08 pins  | PCB                  | 6A            | 50V     | 50V | MB12FBSY208ST-2 |

### Panel Cut-out Dimensions



### Remarks

- Please refer to Page 578 for the Conversion between American Wire Gauge AWG and Wire Cross-section mm<sup>2</sup>.
- Please refer to Page 96 for products' part number encoding rule.