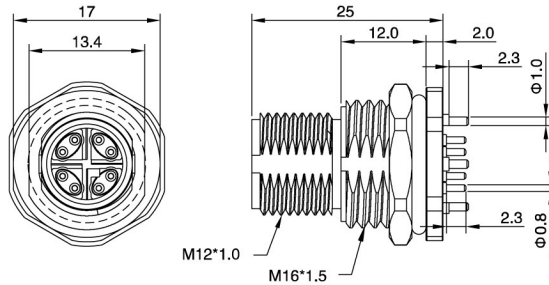




## M12 Male Panel Mount, PCB Type, Front fastened, X-coding, Shielded

- Connector series: M12
- Gender: Male
- Coding: X
- Locking type: Fix screw
- Mounting type: Front fastened
- Part No.: MB12MBSXFF08ST-2




### ■ General information

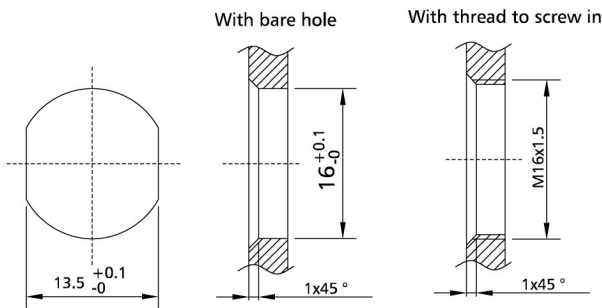
Standard:	IEC 61076-2-109
Ambient temperature:	-25°C~ + 90°C
Connector insert:	PA
Connector contacts:	Brass with gold plated
Connector screw/nut:	Brass/Zinc with nickel plated
Seal / O-ring:	FKM/Epoxy resin

Insulation resistance:	$\geq 100M\Omega$
Contact resistance :	$\leq 10m\Omega$
Shielding:	Available
IP rating:	IP68 in locked condition
Mating endurance:	>500 cycles

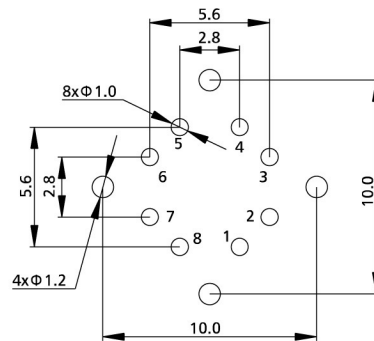
### ■ Electrical data & Mechanical data

Contacts	Contacts termination	Rated current	Voltage		Part No.
			A/C	D/C	
08 pins 	PCB version	0.5A	50V	60V	MB12MBSXFF08ST-2

### ■ Panel Cut-out Dimensions



### ■ PCB Layout



### ■ Remarks

- Please refer to Page 96 for products' part number encoding rule.