

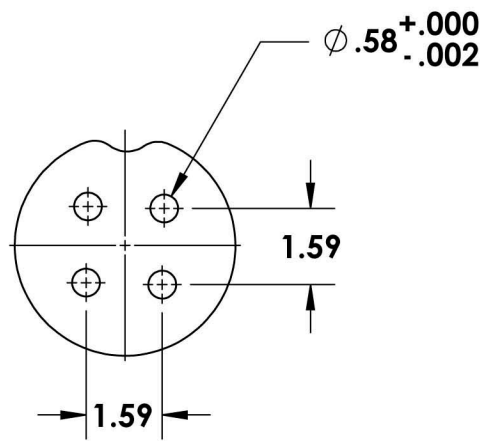
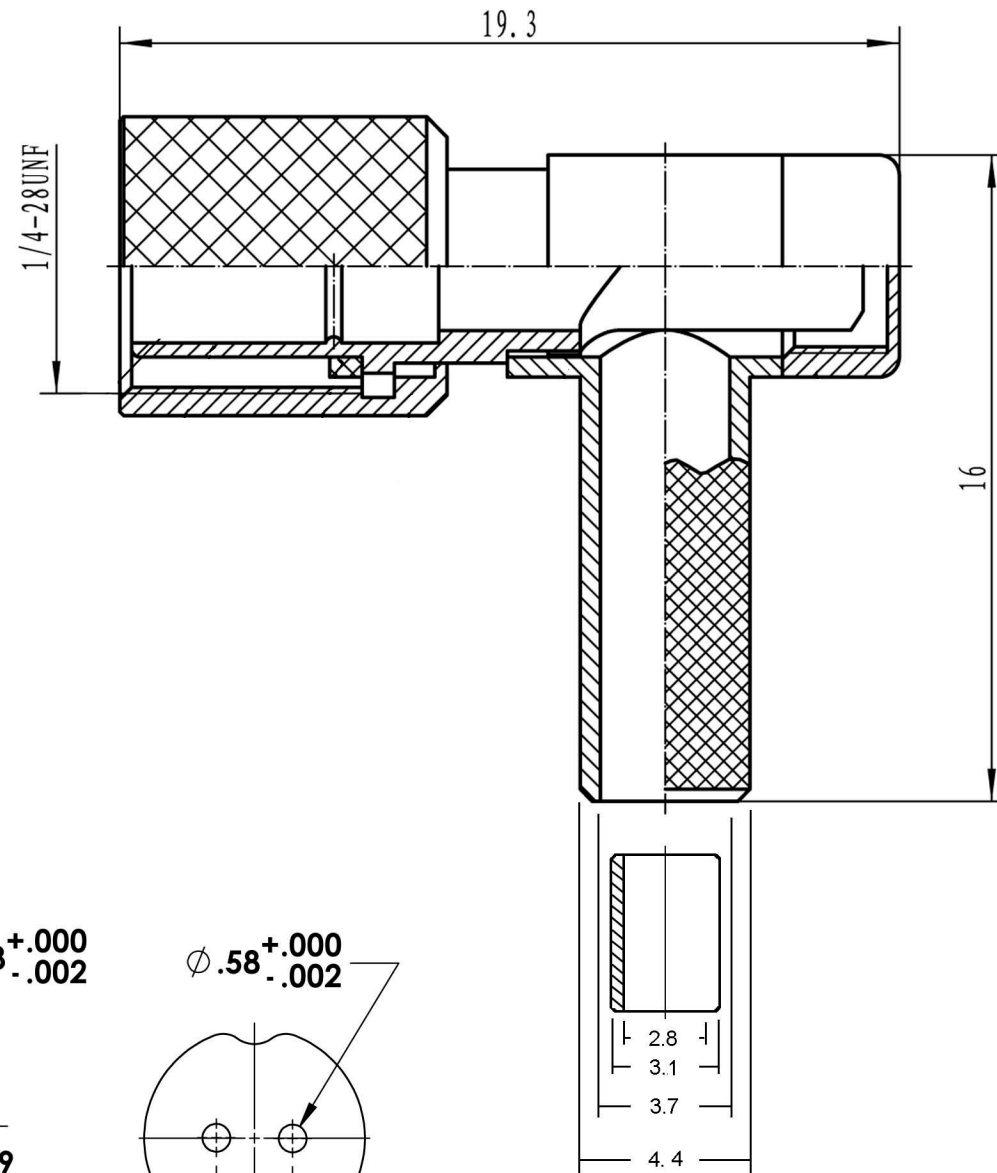
REVISION HISTORY		
REVISION	DATE	COMMENT
0	02/20/19	INITIAL RELEASE

NOTES:

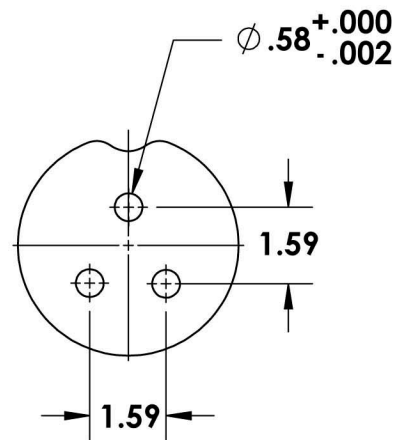
1. MATERIALS: "G" STYLE

- 1.1 SHELL, FERRULE
BRASS PER QQ-B-626
FINISH: GOLD, OVER
ELECTROLESS NICKEL
PER MIL-G-45204, TYP 2, CLASS 1
- 1.2 INSERT
PEEK, GLASS FILLED PER
MIL-P-46183
- 1.3 CONTACTS
COPPER ALLOY
FINISH: GOLD PER MIL-G-45204
- 1.4 GASKETS (OPTIONAL)
SILICONE RUBBER PER AMS 3304
- 1.5 ALTERNATE SHELL MATERIALS
AND FINISHES:

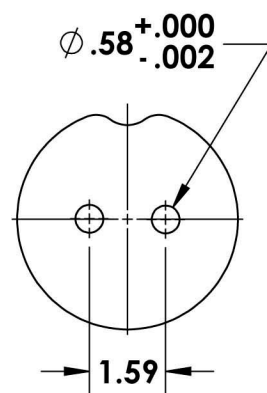
- "M" STYLE: BRASS, WITH
ELECTROLESS NICKEL FINISH
PER AMS-C-26074, CLASS 4, GRADE B
- "A" STYLE: BRASS, WITH GOLD PLATE,
BLACK CHROMATE
- "K" STYLE: STAINLESS STEEL,
300 SERIES, WITH PASSIVATION



4 POSITION



3 POSITION



2 POSITION

THIS DOCUMENT IS SOLE PROPERTY OF MILSPECTWEST AND IS ISSUED IN STRICT CONFIDENCE THAT IT WILL NOT BE REPRODUCED IN ANY WAY OR USED TO SOLICIT BUSINESS OF A COMPETITIVE NATURE. DISTRIBUTION OF THIS DOCUMENT IS PROHIBITED UNLESS WRITTEN CONSENT IS OBTAINED FROM COMPAERO, INC. THIS DOCUMENT IS SUITABLE FOR ENGINEERING EVALUATION AND MAY BE USED IN TECHNICAL SPECIFICATIONS.

UNLESS OTHERWISE NOTED: DIMENSIONS ARE IN INCHES DO NOT SCALE THIS DRAWING	DRAWING	RS	MILSPECWEST - MICROCOM PRODUCTS	
	CHECKED	TS	DESCRIPTION: PLUG, RIGHT ANGLE	
	Q.A.	KB	DWG. NO. MSW - G - BF - 04S	REVISION: 0 SHEET 1 OF 1

FRACTIONS ARE ±1/16
.XX DECIMALS ARE ±.005
.XXX DECIMALS ARE ±.003
ANGLES ARE ±2°